



ALSO AVAILABLE WITH OPTIONAL T-TOP (CANVAS OR FIBREGLASS TOP)

**F360M**

The F360M delivers exactly what serious fishermen demand in a sportfishing centre console boat. The cockpits are designed to have abundant room for 360° of fishing, coupled with our sharp bow entry, it provides you with the driest ride possible to go to the extreme!

*Cruise-Craft*

The F360M delivers exactly what serious fishermen demand in a sportfishing centre console boat. The cockpits are designed to have abundant room for 360° of fishing, coupled with our sharp bow entry, it provides you with the driest ride possible to go to the extreme!

The F360M is the ideal boat for anglers who are seeking a serious sports fishing centre console. With the combination of high side decks and an oversized cast deck that has over 2 square meters of fishing room it is a boat you and your fishing mates can feel safe whilst targeting your favourite fish.

If offshore fishing is not really your thing but you're looking for a great family boat that allows unobstructed movement, why not turn the front cast deck into an oversize sun/day bed? Swap out the bait board for a ski-pole and you will have yourself the ideal family fun boat.

Designed for offshore fishing but also keeping all boating enthusiasts in mind, the F360 range are all factory standard with self-draining deck's allowing any excess water to exit the boat with ease.

## KEY STANDARD FEATURES

### Convenience

- Aluminium Dual Seat with Fixed Backrest
- Boarding Ladder – Rear – Stainless Steel
- Grab Handle – Transom Ladder – Stainless Steel
- Drink Holders – Pair – Helm Station
- Fusion MS-RA60 Marine Stereo with 2 x 6.5" XS Series 200 Watt Speakers
- Glovebox – Lockable
- Foot Rest – Helm Station – Stainless Steel
- Rear Bulkhead Hatches – Pair
- Rear Padded Coaming
- Rear Padded Coaming on Transom Door
- Hydraulic Steering
- Walk Through Transom Door
- 3-Spoke Stainless Steel Steering Wheel w' Knob

### Fishing

- Heavy Duty Stainless Steel Rod Holders with Drains – Two Pairs
- Side Pocket Rod/Gaff Racks – Two Each Side
- Tacklebox – Three Drawer Under Transom Step
- Under Floor Fuel Tank – 210Ltr (Optional 250Ltr)
- Under Floor Storage/Kill Tank – Rear Cockpit

### Hull and Deck Hardware

- Anchor Locker Hatch
- Bow Eye Latch and Release
- Cleats – Pop Up – Stainless Steel – One Pair at Rear and One Pair Midship

### Hull and Deck Hardware Continued...

- Cleat – Pop Up – Stainless Steel – Bowsprit
- Cockpit Side Pockets
- Complete Composite Construction – NO ROT!
- Drain Plug/Bung
- Raised Nylon Battery Pads
- Roller Fairlead
- Transom U-Bolts
- Vinyl Ester Tie-Layer
- Windshield – Acrylic

### Lighting

- Cockpit LED Light – Two Pairs
- Navigation LED Lights – Port, Starboard & Riding

### Power, Batteries and Fuel

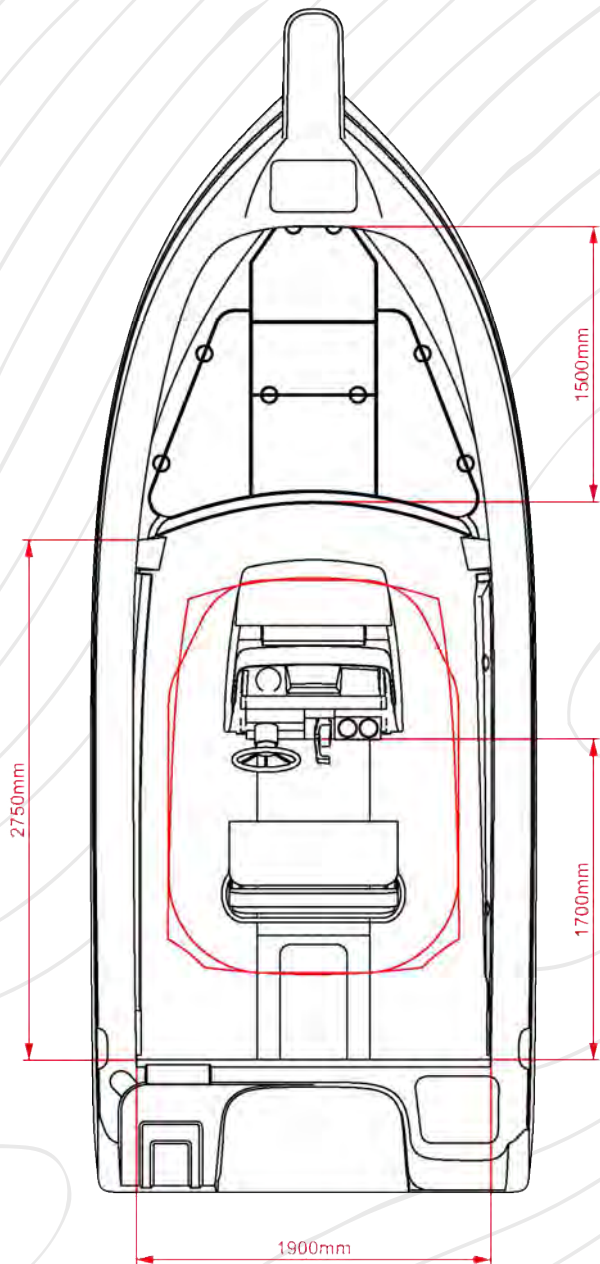
- 100 Litres of Fuel – Less Fuel Used On Factory Watertest
- Dual Battery Management System with VSR – Inc Two Century Marine Batteries
- 12V Power Outlet & USB Power Outlet

### Safety

- Bilge Pump with Built in Water Sensor – 800GPH
- EPIRB with GPS 406MZ – Manual Activation
- Fire Extinguisher (1kg)
- Foam Filling
- Garmin VHF 215i Marine Radio
- Self Draining Deck with Scuppers







Boat Length	6.35m	20ft 11in
Length Overall on Trailer (motor vertical)	7.76m (Approx)	
Height Overall with Sofftop or Hard Top	3.2m (Approx)	
Height Overall at windscreen on Trailer	2.5m (Approx)	
Max Beam	2.44m	
Weight BMT (including fuel and safety gear)	2200kg (Approx.)	
Deadrise at Transom	20°	
Power Outboard	150hp (minimum)	200hp (maximum)
Max No. Persons	6	480kg
Max Load	930kg	
Fuel Capacity	210L	Optional 250L

\* All heights, lengths & widths are based on an applicable Cruise Craft trailer.

#### STANDARD TRAILER - GTM: 2400kg ATM: 2500kg

Easytow Custom Galvanised Trailer (SF6.5-2400TRR) Inc 'V' Guide  
 A trailer upgrade may be required depending on the boat options selected.

#### UPGRADED TRAILER - GTM: 2430kg ATM: 2670kg

Easytow Custom ALUMINIUM Trailer (SA6.5-2430TS) Inc 'V' Guide  
 A trailer upgrade may be required depending on the boat options selected.

#### OPTIONAL TRAILER - ATM: 2500kg



Mayfair Marine Cruise Craft Custom (RE190T-EH) - ATM: 2500kg  
 A trailer upgrade may be required depending on the boat options selected.





MAXIMUM HP  
 **YAMAHA**  
**F200**



Motor Options	F150 XB	F150 XCA	F175 XA	F175 XCA	F200 XB	F200 XCA
Bore x Stroke (mm)	94 x 96.2	96 x 96.2	96 x 96.2	96 x 96.2	96 x 96.2	96 x 96.2
Displacement (cc)	2670.0	2785.0	2785.0	2785.0	2785.0	2785.0
Fuel Management	EFI	EFI	EFI	EFI	EFI	EFI
Ignition	TCI	TCI	TCI	TCI	TCI	TCI
Lubrication System	Wet Sump	Wet Sump	Wet Sump	Wet Sump	Wet Sump	Wet Sump
Gear Ratio	2.00 : 1	1.86 : 1	1.86 : 1	1.86 : 1	1.86 : 1	1.86 : 1
Starter System	Electric	Electric	Electric	Electric	Electric	Electric
Operation Method	Mechanical	DEC	Mechanical	DEC	Mechanical	DEC
Dry Weight (kg)	228	220	220	220	222	222
 	No	<b>Yes</b>	No	<b>Yes</b>	No	<b>Yes</b>
Alternator Output	12V - 36A	12V - 50A	12V - 50A	12V - 50A	12V - 50A	12V - 50A
Colour Options	Grey	Grey & White	Grey	Grey	Grey	Grey & White