

EXPLORER 568ST

Cruise Craft boats are known for their predictable ride and this one is no exception. If you're after something to please the whole family including fishing, cruising and watersports then the Explorer 568 is going to tick all the boxes.

Cruise Craft

Cruise Craft boats are known for their predictable ride and this one is no exception. If you're after something to please the whole family including fishing, cruising and watersports then the Explorer 568 is going to tick all the boxes.

You are certain to be just as impressed when you take to the helm for the first time. This is a boat where there is no compromise in performance, features or comfort. It's a design with sweet flowing lines...just the way a Cruise Craft should look.

From stem to stern, the Explorer 568 offers the utmost in quality. The cuddy cab provides ample storage and shelter, while the cockpit is spacious and beamy to handle a boat load of fishermen.

Then hit the throttle! The smooth ride has to be experienced to be properly appreciated. In true Explorer fashion, the 568 tracks like a laser and handles with all the composure of a family classic and when you reach your favourite fishing mark, the stability at anchor is simply remarkable.

KEY STANDARD FEATURES

Convenience

- Boarding Ladder – Rear – Stainless Steel
- Grab Handle – Dash Recess – Stainless Steel
- Grab Handle – Transom Ladder – Stainless Steel
- Drink Holder on Dash
- Fusion MS-RA60 Marine Stereo with 2 x 6.5" XS Series 200 Watt Speakers
- Padded Cabin Rails & Upholstered Bunk Cushions
- Foot Rest – Pair – Driver and Passenger – Stainless Steel
- Rear Bulkhead Curtain
- Rear Bulkhead Hatch – Under Transom Step
- Rear Padded Coaming
- Seat Frames with Slide, Swivel & President Seats – Pair
- Under Bunk Storage
- Hydraulic Steering
- Walk Through Transom Door

Fishing

- Heavy Duty Stainless Steel Rod Holders with Drains – One Pair
- Side Pocket Rod/Gaff Racks – Two Each Side
- Under Floor Fuel Tank – 160Ltr

Hull and Deck Hardware

- Anchor Locker Drain
- Anchor Locker Hatch
- Bow Eye Latch and Release
- Bow Rail – Stainless Steel

Hull and Deck Hardware Continued...

- Cabin Lining
- Cleats – Stainless Steel – One Pair at Rear
- Cockpit Carpet – Clip-Out
- Cockpit Side Pockets
- Complete Composite Construction – **NO ROT!**
- Cross Bollard – Bow
- Forward Access Hatch
- Raised Nylon Battery Pads
- Roller Fairlead
- Transom U-Bolts
- Vinyl Ester Tie-Layer
- Windscreen – Curved – With Stainless Steel Grab Rail

Lighting

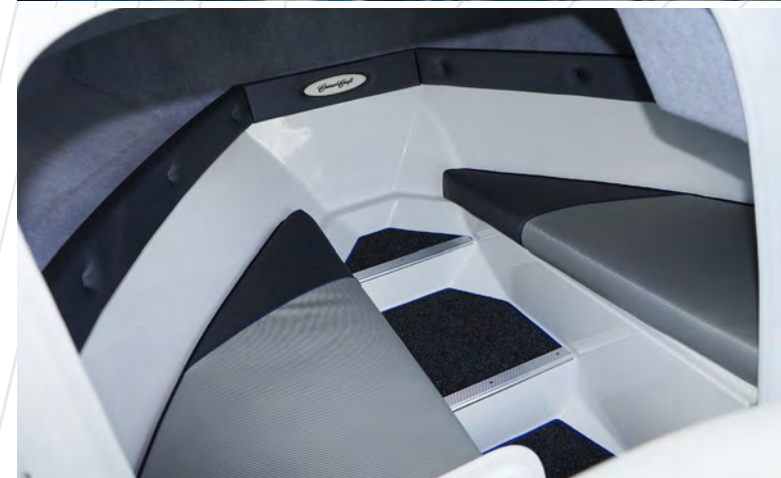
- Cockpit LED Light – Pair
- Navigation LED Lights – Port, Starboard & Riding

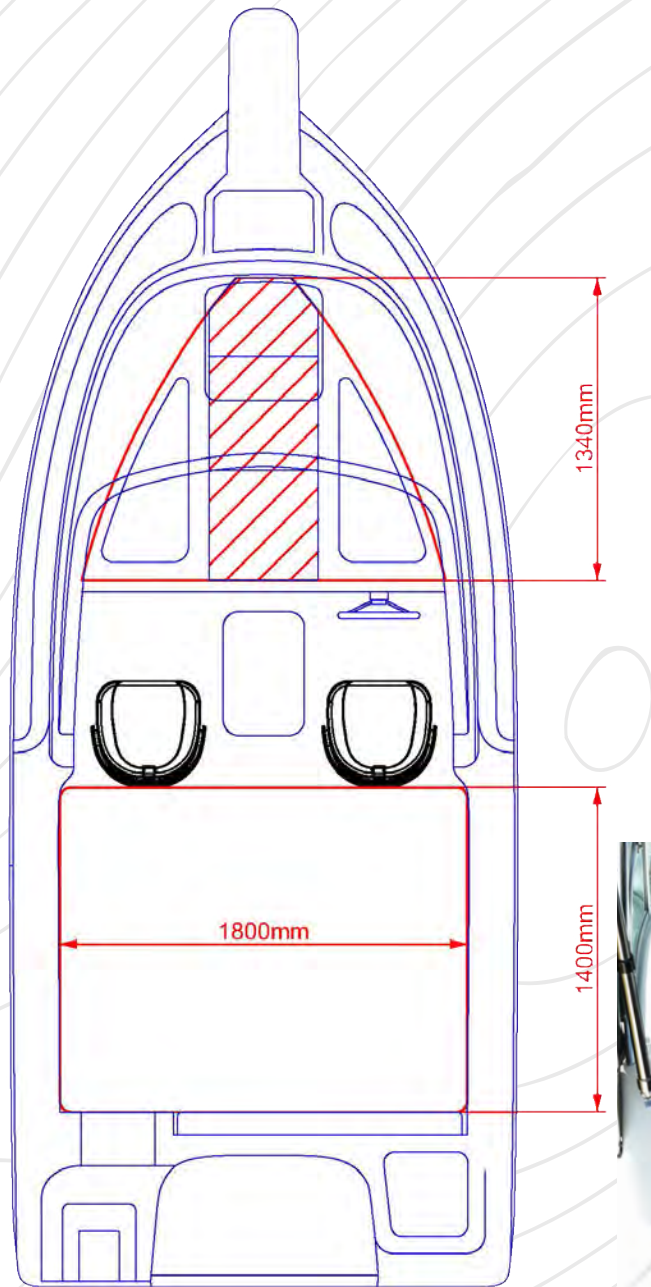
Power, Batteries and Fuel

- 100 Litres of Fuel – Less Fuel Used On Factory Watertest
- Dual Battery Management System with VSR – Inc Two Century Marine Batteries
- 12V Power Outlet & USB Power Outlet

Safety

- Bilge Pump with Built in Water Sensor – 800GPH
- Compass
- EPIRB with GPS 406MZ – Manual Activation
- Fire Extinguisher (1kg)
- Foam Filling
- Garmin VHF 215i Marine Radio





Boat Length	5.68m	18ft 6in
Length Overall on Trailer (motor vertical)	6.8m (Approx)	
Height Overall at highest point on Trailer	3.02m (Approx)	
Height Overall at windscreen on Trailer	2.31m (Approx)	
Max Beam	2.33m	
Weight BMT (including fuel and safety gear)	1680kg (Approx.)	
Deadrise at Transom	20°	
Power Outboard	115hp (minimum)	150hp (maximum)
Max No. Persons	5	400kg
Max Load	800kg	
Fuel Capacity	L	Optional L

* All heights, lengths & widths are based on an applicable Cruise Craft trailer.

STANDARD TRAILER - GTM: 1990kg ATM: 2000kg

Easytow Custom Galvanised Trailer (SF5.6-2000TRR) Inc 'V' Guide (Mechanical Brakes)

A trailer upgrade may be required depending on the boat options selected.

UPGRADED TRAILER - GTM: 1990kg ATM: 2200kg

Easytow Custom ALUMINIUM Trailer (SA6.0-2200TS) Inc 'V' Guide (Mechanical Brakes)

A trailer upgrade may be required depending on the boat options selected.

OPTIONAL TRAILER - ATM: 1990kg

Mayfair Marine Cruise Craft Custom (RE170T-MO) - ATM: 1990kg


A trailer upgrade may be required depending on the boat options selected.





MAXIMUM HP
 **YAMAHA**
F150



Motor Options	F115 XB	F130 XA	F150 XB	F150 XCA
Bore x Stroke (mm)	81.0 x 88.9	81.0 x 88.9	94 x 96.2	96 x 96.2
Displacement (cc)	1832.0	1832.0	2670.0	2785.0
Fuel Management	EFI	EFI	EFI	EFI
Ignition	TCI	TCI	TCI	TCI
Lubrication System	Wet Sump	Wet Sump	Wet Sump	Wet Sump
Gear Ratio	2.15 : 1	2.15 : 1	2.00 : 1	1.86 : 1
Starter System	Electric	Electric	Electric	Electric
Operation Method	Mechanical	Mechanical	Mechanical	DEC
Dry Weight (kg)	176	178	228	220
HELM  MASTER^{EX}	No	No	No	Yes
Alternator Output	12V - 35A	12V - 35A	12V - 36A	12V - 50A
Colour Options	Grey & White	Grey	Grey	Grey & White